

*DRAWINGS IN THIS MANUAL
ARE REPRESENTATIVE ONLY*

ATTACH YOUR RECEIPT HERE

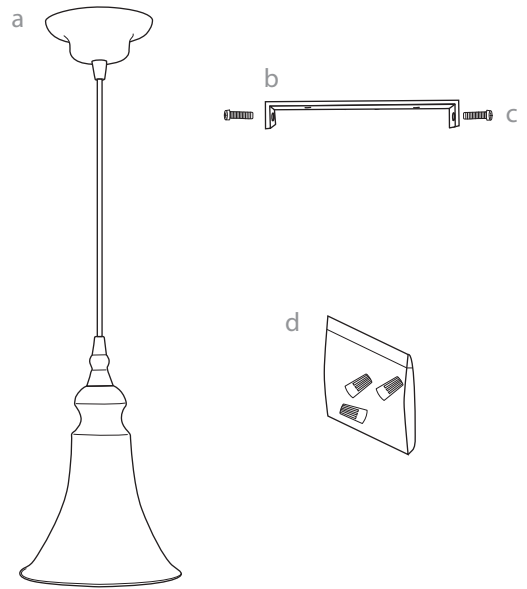
Serial Number _____ Purchase Date _____



Questions, problems, missing parts? Before returning to your retailer, call our customer service department at **1-800-486-4892**.

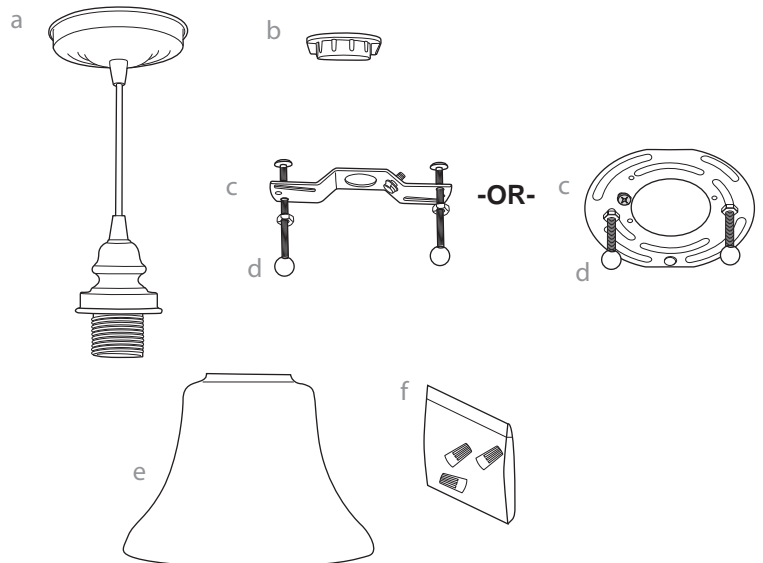
PACKAGE CONTENTS

- a. fixture. 1 piece
- b. mounting strap (pre-attached to fixture). 1 piece
- c. mounting strap screw (pre-attached to mounting strap). 2 pieces
- d. hardware pack



OR

- a. fixture. 1 piece
- b. socket ring (pre-attached to fixture). 1 piece
- c. mounting strap/plate (pre-attached to fixture). 1 piece
- d. decorative nut (pre-attached to mounting strap/plate). 2 pieces
- e. shade. 1 piece
- f. hardware pack



SAFETY INFORMATION

READ AND SAVE THESE INSTRUCTIONS.

Please read and understand this entire manual before attempting to assemble, operate or install the product. If you have any questions regarding this product, please call customer service at **1-800-486-4892**.

DANGER

- For your protection and safety, carefully read and understand the information provided in this manual completely before attempting to assemble, install or operate this product. Failure to do so could lead to electrical shock, fire or other injuries that could be hazardous or even fatal.
- DO NOT connect this fixture to an electrical system that does not provide a means for equipment grounding. Never use a fixture in a two-wire system that is not grounded. Installing a fixture into an electrical system not having a proper grounding means could cause metal parts of the fixture to carry electrical currents if any of the fixture wires, wire connections or splices were to become broken, cut or loose during the mounting or normal operation of the fixture. Under this condition, anyone coming in contact with the fixture would be subject to electrical shock, which could cause serious injury or death.

SAFETY INFORMATION

- DO NOT connect the bare or green insulation fixture ground wire to the black (HOT) current-carrying wire or the white neutral house wire. Connection of the bare or green fixture ground wire to the black or white house wires may cause metal parts of the fixture to carry electrical currents. Under this condition anyone coming in contact with the fixture will receive electrical shock, which could cause serious injury or death.
- DO NOT damage or cut the wire insulation (covering) during installation of fixture. DO NOT permit wires to contact any surface having a sharp edge. To do so may damage or cut the wire insulation, which could cause serious injury or death from electrical shock.

WARNING

- All electrical connections must be in agreement with local codes and ordinances, the National Electric Code (NEC) and ANSI/NFPA 70-1999. Contact your municipal building department to learn about your local codes, permits and/or inspections. Risk of fire – most dwellings built before 1985 have supply wire rated for 140 °F (60 °C). Consult a qualified electrician before installation.
- To avoid personal injury, the use of gloves may be necessary while handling fixture parts with sharp edges.
- DO NOT suspend any fixture by the house wires. A fixture must always be mounted directly to a mounting strap which is first attached to the outlet box. Wire connectors will not support the weight of a fixture. Suspending a fixture by the house wires and wire connectors will result in the fixture falling, with the possibility of personal injury and the danger of electrical shock or fire.
- To reduce the risk of fire, electrical shock, or personal injury, wire connectors provided with this light fixture are designed to accept only one 12-gauge house wire and two lead wires from the light fixture. If your house wire is larger than 12-gauge or there is more than one house wire to connect to the corresponding fixture lead wires, consult an electrician for the proper size wire connectors to use.

CAUTION

- TURN OFF ELECTRICITY at main fuse box (or circuit breaker box) before beginning installation by removing the fuse (or switching the circuit breaker off).
- If you are not sure the lighting system has a grounding means, DO NOT attempt to install this fixture. Contact a qualified, licensed electrician for information regarding the proper grounding methods as required by the local electrical code in your area.
- All fixtures must be mounted to an outlet box that is supported by the building structure.
- DO NOT use bulbs having a wattage greater than the maximum value stated on the fixture. The use of bulbs with higher wattage than specified will increase temperatures and risk of fire.
- If a dimmer control switch is used with this fixture, obtain professional advice to determine the correct type to use as well as the electrical rating required.

PREPARATION

Before beginning assembly of product, make sure all parts are present. Compare parts with package contents list on Page 2. If any part is missing or damaged, do not attempt to assemble the product. Contact customer service for replacement parts.

Estimated Assembly Time: 60 minutes

Tools Required for Assembly (not included): Flathead screwdriver, Phillips screwdriver, wire strippers, pliers, wire cutters, safety glasses, stepladder, electrical tape

Helpful Tools (not included): A/C tester light, do-it-yourself guide, soft cloth

ASSEMBLY INSTRUCTIONS

1. Turn off circuit breakers and wall switch to the fixture supply line leads. (Fig. 1)

⚠ DANGER: Failure to disconnect power supply prior to installation may result in serious injury or death.

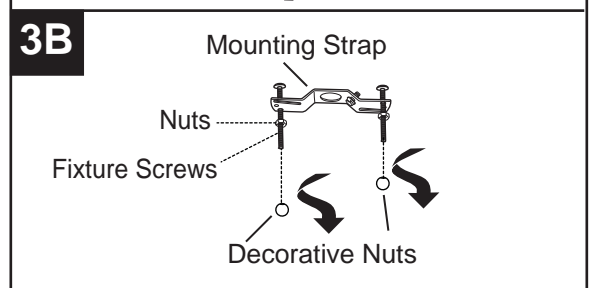
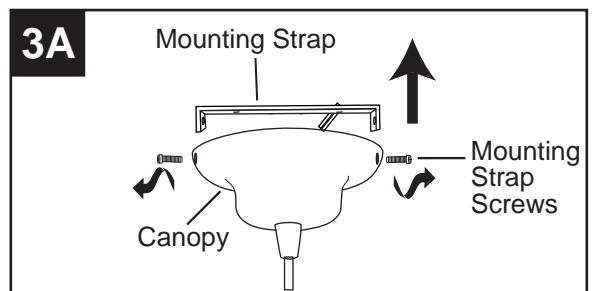
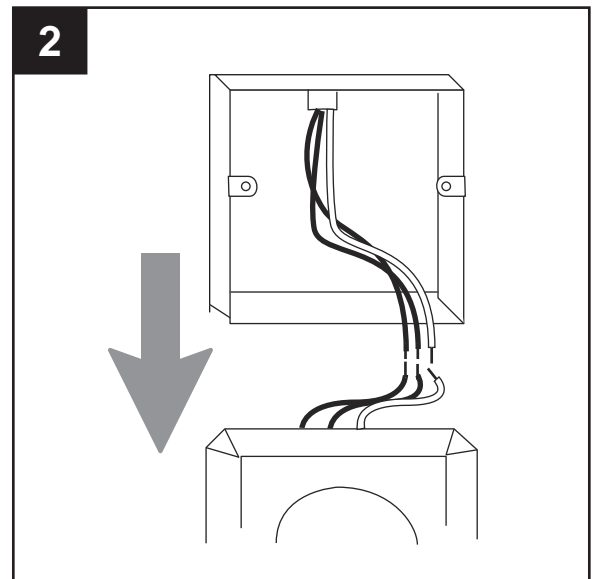
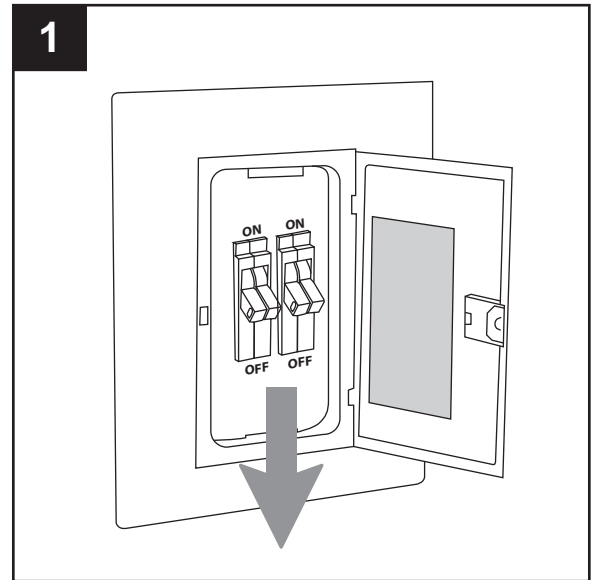
2. Remove existing fixture and disconnect all electrical wiring. (Fig. 2)

3. Unwrap bare wire from the other two wires in the fixture canopy. Remove mounting strap from the fixture by removing mounting strap screws from the edges of the fixture. (Fig. 3A) *Save mounting strap screws for later use.*

----- OR -----

Remove decorative nuts from mounting strap. (Fig. 3B) *Save decorative nuts for later use.*

Note: Do *not* remove fixture screws and nuts on mounting strap -- refer to Fig. 3B.



ASSEMBLY INSTRUCTIONS

4. Attach mounting strap to outlet box using the existing screws and washers provided with the outlet box. (Fig. 4A or Fig. 4B)

⚠ Make sure the outlet box can support 35 lbs. hanging weight. Use *metal* outlet box; plastic outlet boxes are not recommended.

NOTE: For mounting strap shown in 4B, adjust fixture screws to proper length by screwing fixture screws completely into mounting strap. Temporarily place fixture over mounting strap to determine amount of adjustment necessary for fixture screws--fixture screws should come through holes in top of fixture just enough so that decorative nuts fit flush against fixture when mounted.

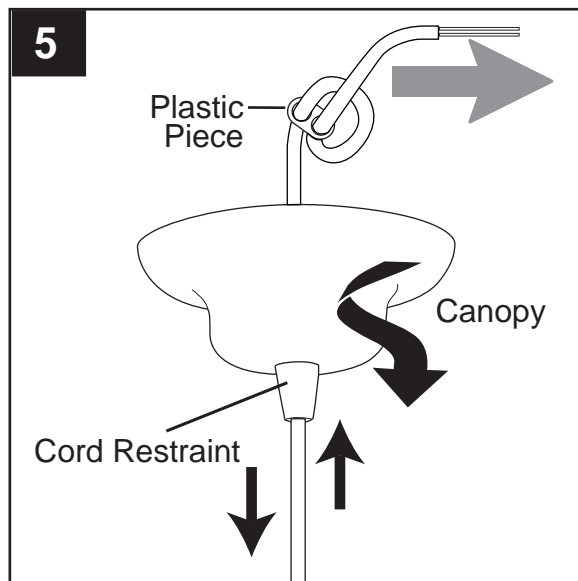
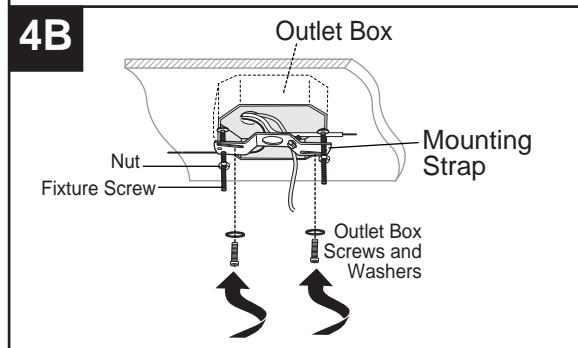
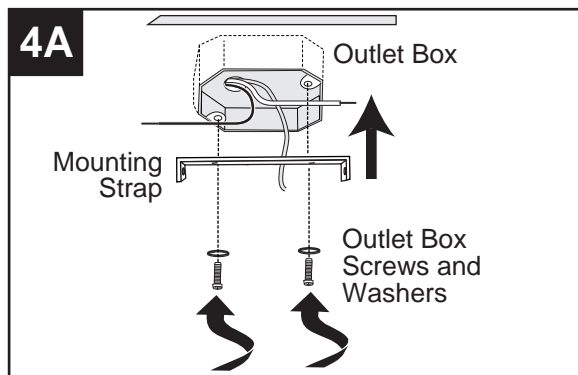
Once fixture screws are adjusted, use pliers to tighten nuts on fixture screws until nuts touch mounting strap.

5. If you wish to change cord length, loosen (but do **not** remove) plastic piece on wire on inside of canopy.

Loosen cord restraint and adjust cord to desired hanging length by pulling cord through canopy of fixture until at proper length.

Tighten cord restraint to hold cord at desired length. *Do not overtighten cord restraint.*

Move plastic piece back over opening on inside of canopy. (Fig. 5)



ASSEMBLY INSTRUCTIONS

6. Prepare wire by stripping 3/4 in. of insulation from wire ends using wire strippers. Tie wire into a knot. (Fig. 6A)

Connect one of the wires from the fixture to **WHITE** wire from outlet box using existing wire connector or wire connector provided. Connect the other wire from the fixture to **BLACK** wire from outlet box using existing wire connector or wire connector provided. Connect **BARE/GREEN** ground wire from outlet box to **BARE** ground wire from mounting strap using wire connector provided. (Fig. 6B)

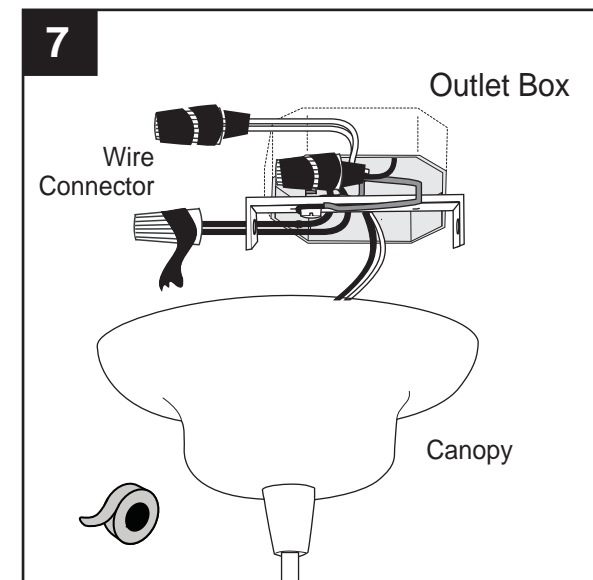
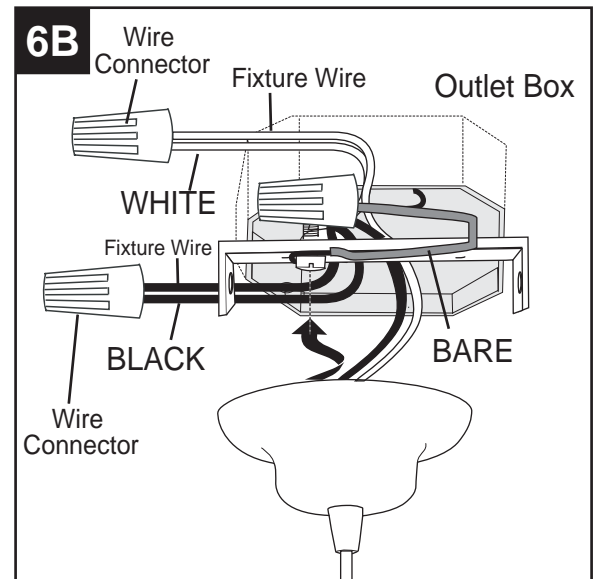
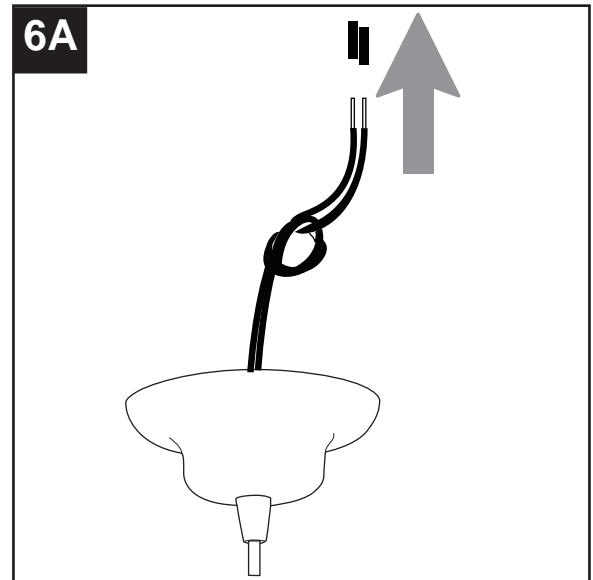
Note: Screw wire connectors on in a clockwise direction.

⚠ WARNING: Never connect ground wire to white or black power supply wires.

⚠ WARNING: To reduce the risk of fire, electrical shock, or personal injury, wire connectors provided with this light fixture are designed to accept only one 12-gauge house wire and two lead wires from the light fixture. If your house wire is larger than 12-gauge or there is more than one house wire to connect to the corresponding fixture lead wires, consult an electrician for the proper size wire connectors to use.

7. Wrap electrical tape around each individual wire connector down to the wire. (Fig. 7)

⚠ Warning: Make sure no bare wire or wire strands are visible after making connections.



ASSEMBLY INSTRUCTIONS

8. Carefully arrange excess wiring and wire connectors within canopy.

Align holes in edge of fixture canopy with screw holes at ends of mounting strap. Secure fixture with mounting strap screws that were removed in Step 3A on page 4. (Fig. 8A)

----- OR -----

Align holes in fixture canopy with fixture screws on mounting strap and push up. Secure fixture to ceiling with the two decorative nuts that were removed in Step 3B on page 4. (Fig. 8B)

9. Install bulb. (Fig. 9A)

----- OR -----

Remove socket ring from socket. Attach shade to socket using socket ring. (Fig. 9B)

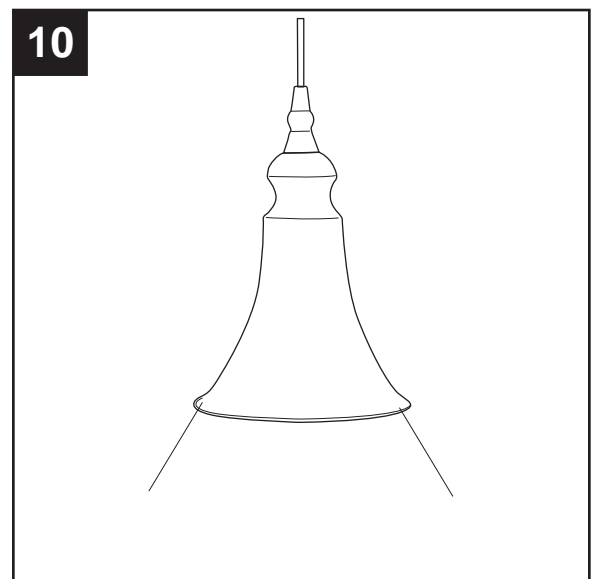
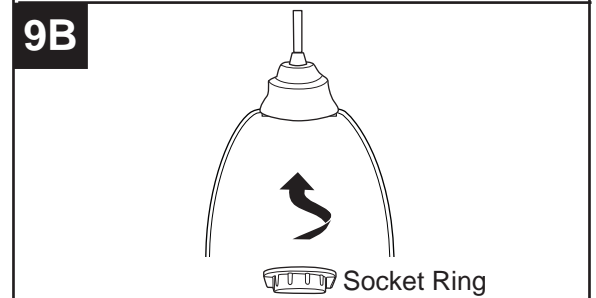
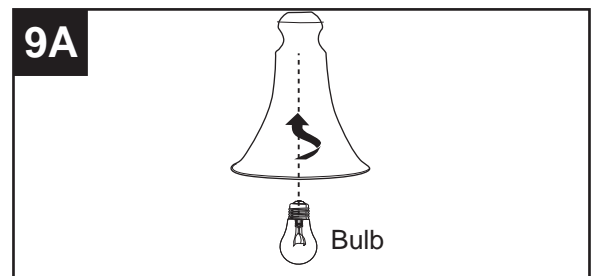
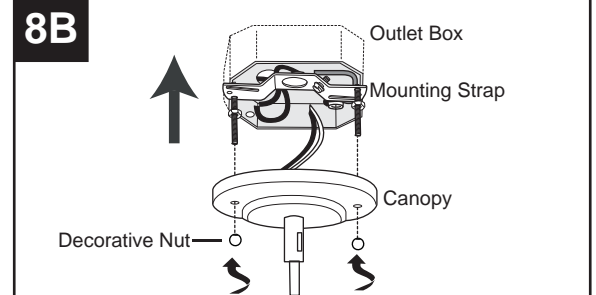
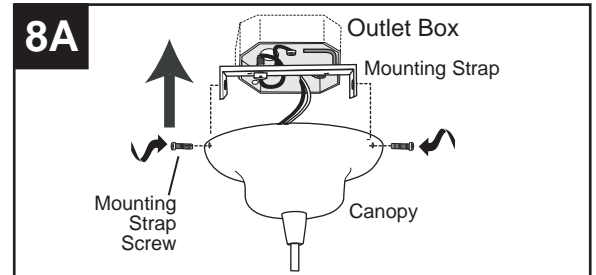
NOTE: Do not overtighten socket ring as shade may crack or break.

Install bulb.

Important: When replacing bulb, please allow bulb, shade and fixture to cool down before touching.

10. Restore power and test fixture.

If light does not function, please refer to the "TROUBLESHOOTING GUIDE" on the next page.



CARE AND MAINTENANCE

Shut off main power supply. Wipe with soft cloth or use window cleaner. Do not use an abrasive cleaner.

TROUBLESHOOTING

⚠ Warning: Before beginning work, shut off the power supply to avoid electrical shock. If you have any questions regarding the product please call customer service at **1-800-486-4892**.

PROBLEM	POSSIBLE CAUSE	CORRECTIVE ACTION
Bulb will not light.	<ol style="list-style-type: none">1. Bulb is burned out.2. Power is OFF.3. Faulty connection.	<ol style="list-style-type: none">1. Replace light bulb.2. Make sure power supply is ON.3. Check wiring and all connections.
Fuse blows out or circuit breaker trips.	<ol style="list-style-type: none">1. Crossed wires.2. Power wire is grounding out.	<ol style="list-style-type: none">1. Check wiring.2. Check all connections.

JEREMIAH LIGHTING LIMITED WARRANTY

Jeremiah Lighting, a division of Litex Industries, (hereinafter known as “the Distributor”) warrants all of its Products to be free from defects in material and workmanship, subject to certain conditions and exclusions, for the period of one (1) year from the date the Product was shipped to the original end use purchaser.

The Distributor will, at its discretion, repair, replace or make appropriate adjustment where inspection discloses any defects occurring in normal usage within the applicable time period above, subject to the following conditions and exclusions. The following costs, expenses and damages are not covered by the provisions of this limited warranty: (1.) labor costs including, but not limited to, costs associated with the removal and reinstallation of Product; (2.) shipping and freight expenses required to return Product to the Distributor.

The warranty only applies to the original end use purchaser and original installation of Products. This warranty is not transferable. The provisions of this warranty do not apply to products that are used in commercial applications; that are used for purposes for which they are not designed or intended; which have been subjected to alteration, accidental damage, abuse, misuse, negligence or accident; which have been improperly stored, installed, maintained or operated; which have been used in violation of written instructions provided by the Distributor; which have been subjected to improper temperature, humidity or other environmental conditions; or which, based on examination by the Distributor, do not disclose to the satisfaction of the Distributor non-conformance to the warranty. Additionally, this warranty DOES NOT COVER scratches, abrasions, or deterioration due to the use of paints, solvents, chemicals or abrasive cleaning techniques.

The above warranty also does not apply if:

- The original bill of sale, delivery date, or product number cannot be verified.
- The parts claimed to be defective are not returned for inspection if so requested by the Distributor.
- The product is not in the possession of the original end use purchaser at the time warranty claim is made.

To obtain Warranty Service, please contact Jeremiah Lighting through your Lighting Dealer or Lighting Contractor, by writing Jeremiah Lighting, Attn: Customer Service Department, 650 South Royal Lane, Coppell, TX 75019, or by calling Customer Service at 800.486.4892

Finish Warranty Exclusions:

- Finishes for fixtures installed outdoors are subject to change due to prolonged exposure to sunlight, pollutants and other environmental conditions. Any claim for fading, discoloration or “patina” of a finish on an outdoor fixture is not applicable to the above warranty. See the “Care & Cleaning” instructions below for proper care and maintenance of your fixture.
- The environment within ten miles of a sea coast can be extremely corrosive. Even with the appropriate maintenance, products installed in this environment will typically deteriorate more than products installed in a less severe environment. Some corrosion and/or deterioration is considered “normal wear” in this environment. Any claim for finish failures or for corrosion of other components due to coastal environment conditions is not applicable to the above warranty.

The Distributor does not authorize any person to create for it any obligation or liability in connection with its Products. The maximum liability is limited to the original purchase price of the product. No action arising out of any claimed breach of this warranty by the Distributor may be brought by the original end use purchaser more than one (1) year after the cause of action has arisen.

IMPLIED WARRANTIES INCLUDING THAT OF MERCHANTABILITY AND FITNESS FOR A PARTICULAR PURPOSE ARE EXPRESSLY LIMITED TO THE DURATION OF THIS WARRANTY. THE DISTRIBUTOR AND/OR SELLER DISCLAIMS ANY LIABILITY FOR SPECIAL, INCIDENTAL OR CONSEQUENTIAL DAMAGES.

This warranty gives you specific legal rights, and you may also have other rights which vary from state to state. Some states do not allow limitations on incidental or consequential damages or how long an implied warranty lasts, so that the above limitations may not fully apply to you. Refer to your local laws for your specific rights under this warranty.

CARE & CLEANING: Initial care for finishes requires periodic cleaning with a soft cloth, dampened with water. A mild non-abrasive soap may be used along with a soft cloth and water if the fixture is very dirty. Particular care should be taken to avoid abrasive materials and strong cleaning agents as they will quickly destroy the protective coatings and subject the finish to oxidation and discoloration.