



Features

- Perfect for multiple in-grade interior and exterior applications
- Can be used in flooring and in-grade applications where heavy loads may be applied (up to 2 ton rating)
- Made of lightweight high quality aluminum
- Frosted lens protects light source while evenly diffusing light
- Field cuttable extrusion and lens
- Must be properly sealed with silicone for installations exposed to indoor or outdoor elements
- Compatible with most Trulux Tape Light
- RoHS Compliant

Available Lengths

39-3/8" (1 meter)

Available Finishes



Anodized Aluminum

Compatible Tape Light

- Trulux Single Color
- Trulux Tunable High Output
- Trulux RGB / RGB+WW

TRULUX™ Paver Extrusion

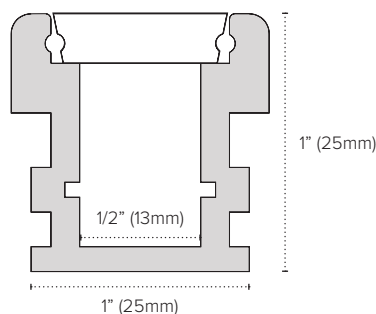
Robust and sturdy, the Paver is the drive over extrusion. Use for sidewalks, driveways, bike lanes, upscale parking lots and outdoor malls. Components (lens end caps) must be sealed properly for outdoor use. For in-ground installation and/or where exposed to heavy loads, special order installation accessories may be needed such as polystyrene foam board, sealants, waterproof couplers and adhesives.

Best suited applications:

Exterior hardscape, landscaping, walkways, driveways, patios

Ordering Information

PE-PAVER-1M	Paver Aluminum Extrusion
PE-PAVERLENS-1M	Frosted Polycarbonate Lens
PE-PAVER-FEED	Paver End Cap w/hole
PE-PAVER-END	Paver End Cap





PAVER
TRULUX EXTRUSIONS

TASK LIGHTING

DOWNLIGHTING

LINEAR LIGHTING

ARCHITECTURAL LIGHTING

POWER SUPPLIES

