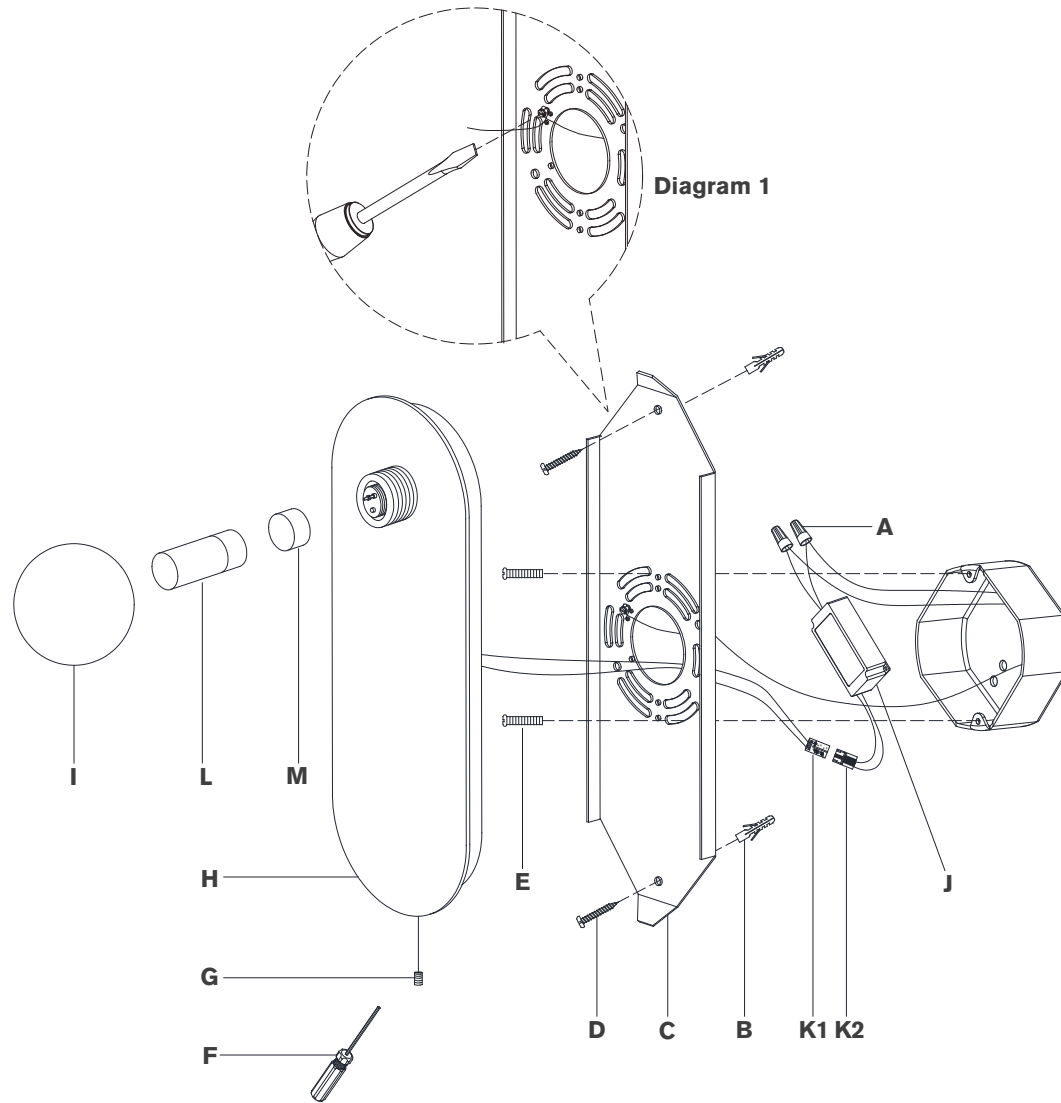


ASSEMBLY INSTRUCTIONS



Pertica 14" Sconce

Item # KW 2522

NOTICE:

This light fixture should be installed in accordance with all applicable, local installation codes, and by a person familiar with the construction and operation of it, as well as the hazards involved. Inspect item and contents carefully. If any damage or defect is found, do not install. Retain all packaging material until installation is complete and approved.

11. Install fixture (H) to mounting plate (C) and secure with screws (G) using the provided screwdriver (F).
12. Remove protective cap (M) from fixture (H), then thread LED bulb (L) to fixture (H).
13. Thread shade (I) to fixture (H).

NOTE: Do not over-tighten otherwise glass shade could be damaged.

Care Instructions: Clean only with a soft dry cloth or feather duster. Do not use abrasive or chemical agents.