

ASSEMBLY INSTRUCTIONS

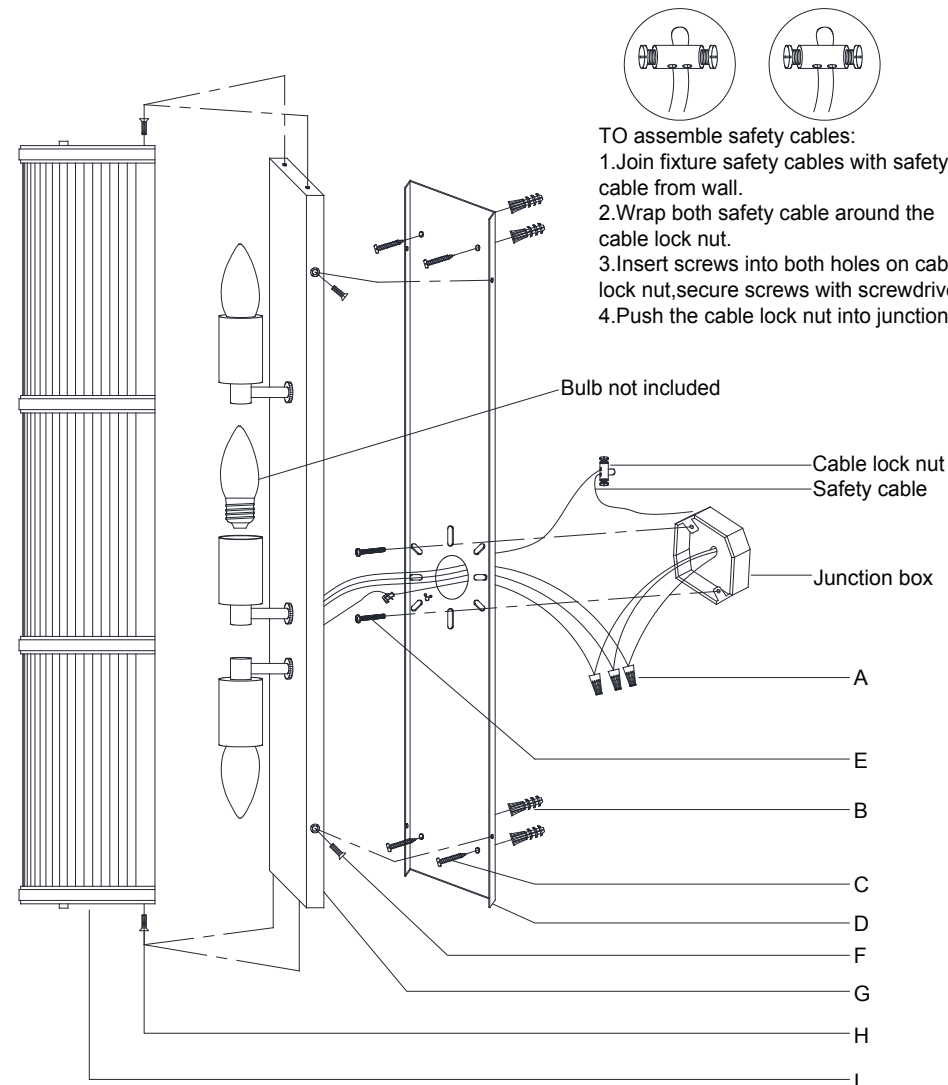
Allen Large Linear Sconce

Item # RL 2086

NOTICE:

This light fixture should be installed in accordance with all applicable, local installation codes, and by a person familiar with the construction and operation of it, as well as the hazards involved. Inspect item and contents carefully. If any damage or defect is found, do not install. Retain all packaging material until installation is complete and approved.

- Carefully remove all parts from the box.
- Remove the shade (I) from the fixture body (G) by unscrewing the screws (H).
- Remove the mounting plate (D) from the fixture body (G) by unscrewing the side screws (F).
- Put the mounting plate (D) on the wall and mark the holes position with the pencil (not included).
- Drill holes on the wall and knock the anchors (B) into the holes.
- Install the mounting plate (D) to the junction box and secure with the mounting screws (E), then secure the wood screws (C) to the anchors (B) and lock tight.
- Connect the safety cables as shown in diagram.
- Wrap the fixture ground wire to the green ground screw on the mounting plate (D) and secure, then connect to the ground wire in the junction box using the wire nut (A).
IT IS IMPERATIVE THAT THIS FIXTURE BE GROUNDED.
- Connect the fixture white wire to the neutral wire in the junction box using the wire nut (A).
- Connect the fixture black wire to the hot wire in the junction box using the wire nut (A).
DO NOT REVERSE THE HOT AND NEUTRAL CONNECTIONS OTHERWISE SAFETY WILL BE COMPROMISED.



Care Instructions: Clean only with a soft dry cloth or feather duster. Do not use abrasive or chemical agents.

RALPH LAUREN



ASSEMBLY INSTRUCTIONS

Allen Large Linear Sconce

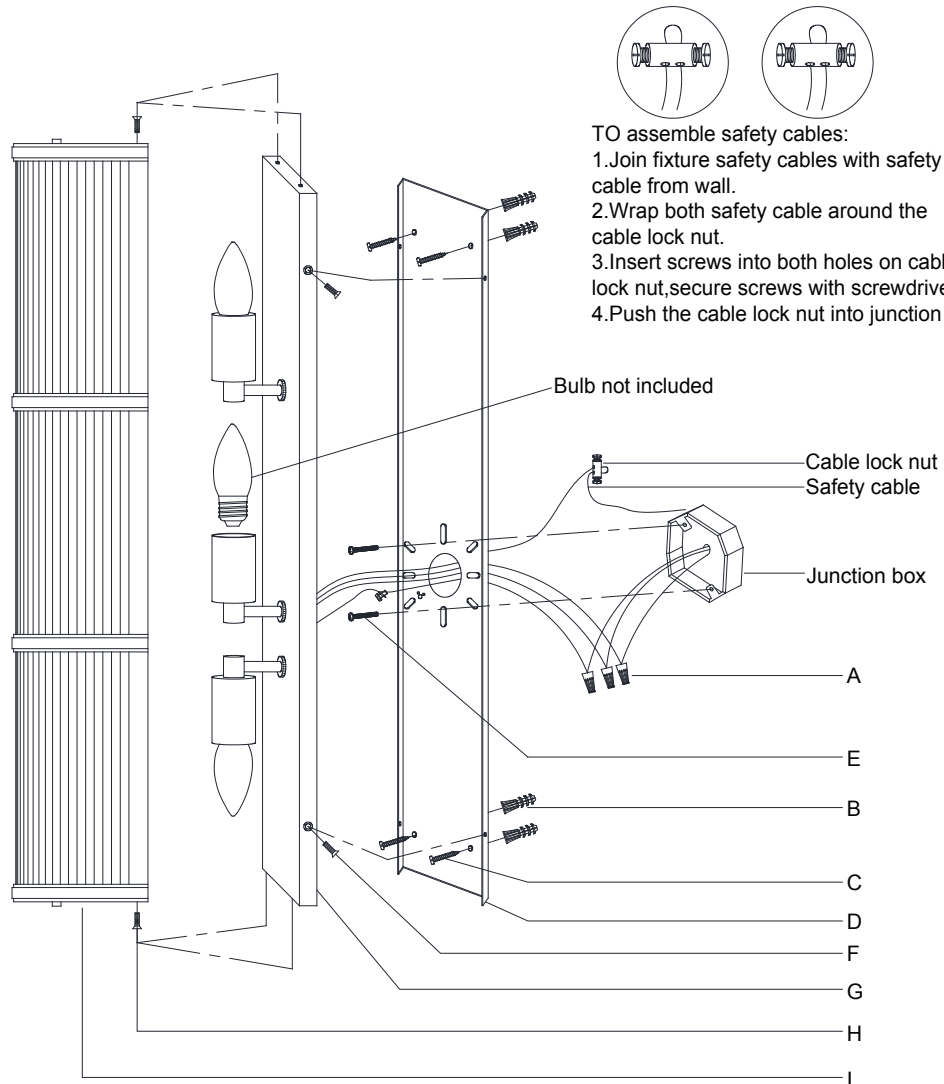
Item # RL 2086

NOTICE:

This light fixture should be installed in accordance with all applicable, local installation codes, and by a person familiar with the construction and operation of it, as well as the hazards involved. Inspect item and contents carefully. If any damage or defect is found, do not install. Retain all packaging material until installation is complete and approved.

11. Install the fixture body (G) to the mounting plate (D) and secure with the side screws (F).
12. Insert bulbs (not included) into the sockets.
13. Install the shade (I) to the fixture body (G) and secure with the screws (H).
14. Installation is complete, turn on power at fuse or circuit breaker.

Care Instructions: Clean only with a soft dry cloth or feather duster. Do not use abrasive or chemical agents.



RALPH LAUREN