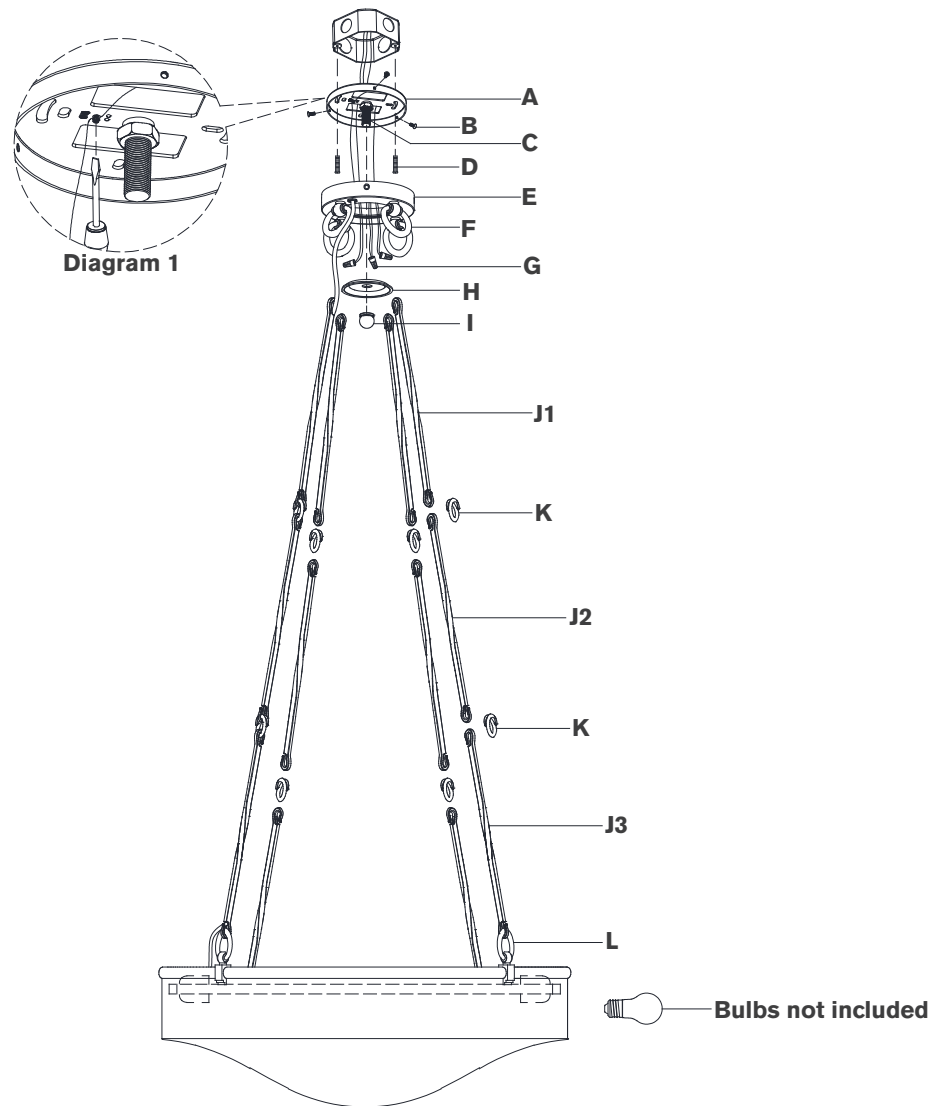


ASSEMBLY INSTRUCTIONS



Ancram Medium Uplight Chandelier

Item # RL 5785

NOTICE:

This light fixture should be installed in accordance with all applicable, local installation codes, and by a person familiar with the construction and operation of it, as well as the hazards involved. Inspect item and contents carefully. If any damage or defect is found, do not install. Retain all packaging material until installation is complete and approved.

TOOLS REQUIRED (NOT INCLUDED):

Phillips Screwdriver

Slotted Screwdriver

Wire Cutters

Wire Strippers

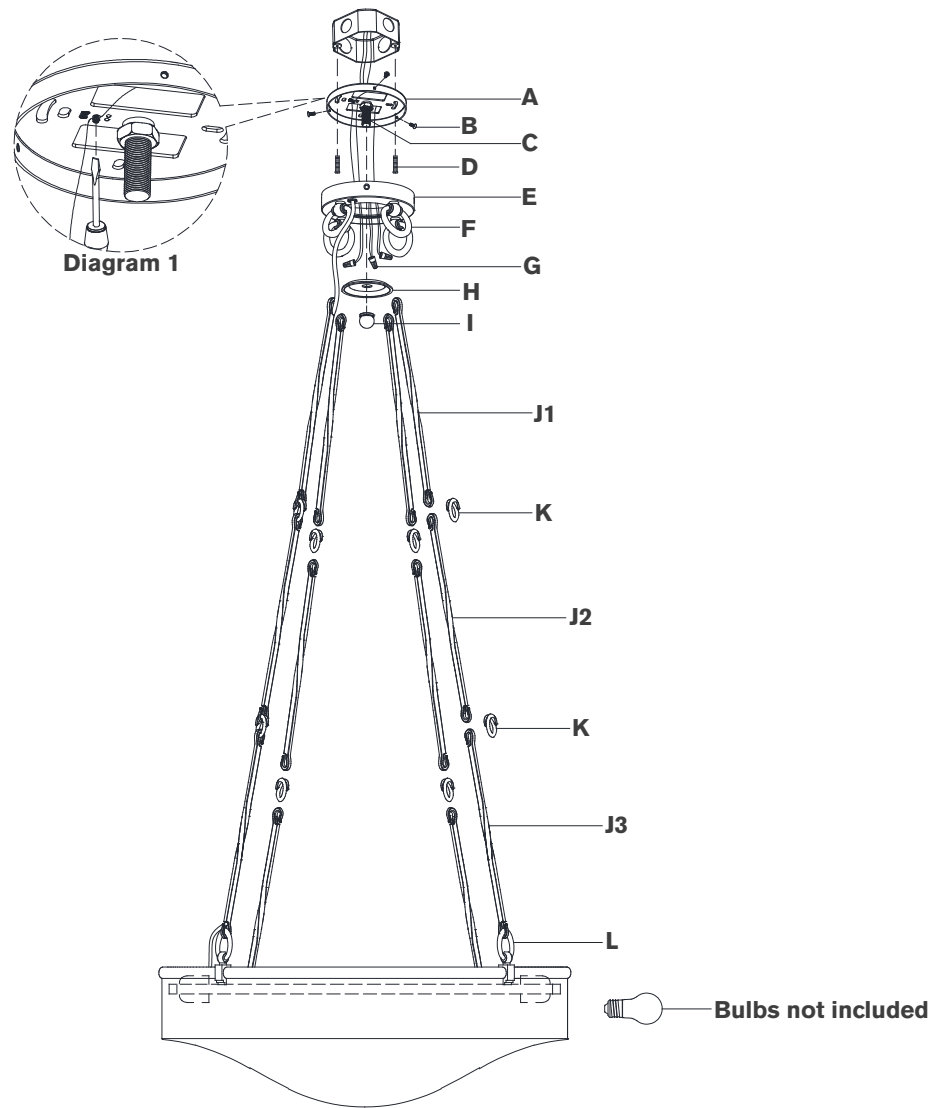
1. Carefully remove all parts from the box. Place on a clean, soft surface.
2. Remove mounting plate **(A)** from canopy **(E)** by removing screws **(B)**.
3. Install mounting plate **(A)** to the junction box and secure with mounting screws **(D)**.
4. Bring the power supply wires through the center hole of canopy, then install canopy **(E)** to mounting plate **(A)** and secure with screws **(B)**.
5. Feed electrical and ground wires through rod **(J3)** and connect to fixture loops **(L)**. Repeat for rod **(J2)** and rod **(J1)** and connect together using loop **(K)**.
6. Install remaining loops and rods to item as shown on instruction, then hang assembled fixture to canopy loop **(F)**.
7. Cut excess wires, being sure to leave enough to reach the junction box. Separate wires, and strip insulation on each 5/8".
8. Twist all fixture wires together. Slip through the bottom side hole of canopy **(E)** and bring out from the center hole of canopy **(E)**.
NOTE: Untwist wires and separate to prepare for connection.
9. Wrap fixture ground wire (bare copper) around the green grounding screw (see diagram 1). Tighten. Continue fixture ground wire and connect to supply ground wire (usually green or bare copper) using wire nut **(G)**.

NOTE: It is imperative that the fixture is grounded.

RALPH LAUREN



ASSEMBLY INSTRUCTIONS



Ancram Medium Uplight Chandelier

Item # RL 5785

NOTICE:

This light fixture should be installed in accordance with all applicable, local installation codes, and by a person familiar with the construction and operation of it, as well as the hazards involved. Inspect item and contents carefully. If any damage or defect is found, do not install. Retain all packaging material until installation is complete and approved.

10. Connect fixture neutral wire (ribbed) to the supply neutral wire (usually white) using wire nut **(G)**.
11. Connect fixture hot wire (smooth with markings) to the supply hot wire (usually black) using wire nut **(G)**.
- CAUTION:** Do not reverse the hot and neutral connections.
12. Make sure all wire connections are tight, then carefully tuck into the canopy.
13. Install metal plate **(H)** to threaded nipple **(C)** and secure with finial **(I)**.
14. Install light bulbs into the sockets.

Care Instructions: Clean only with a soft dry cloth or feather duster. Do Not use abrasive or chemical agents.

RALPH LAUREN

